

OWL OQ35 Handheld Thermal Monocular Camera



HikMicro OQ35 handheld thermal monocular camera is equipped with a 384×288 infrared detector and a 1024×768 OLED display. It supports functions of observation, distance measurement, Wi-Fi hot spot, and so on. The high-sensitivity built-in thermal detector provides you with clear view even in total darkness. The monocular is mainly applied to scenarios such as patrolling, searching and rescuing, hiking, travel, and hunting, etc

Key Features

- High sensitivity thermal module with 640×512 resolution
- NETD < 35 mK (@25 °C,, F#=1.0)
- Leading thermal image processing technology: Adaptive AGC, DDE, 3D DNR
- 1024×768 resolution 0.39-inch OLED display
- Built-in rechargeable Li-ion battery
- Up to 5.5 hours continuous operation

Specification

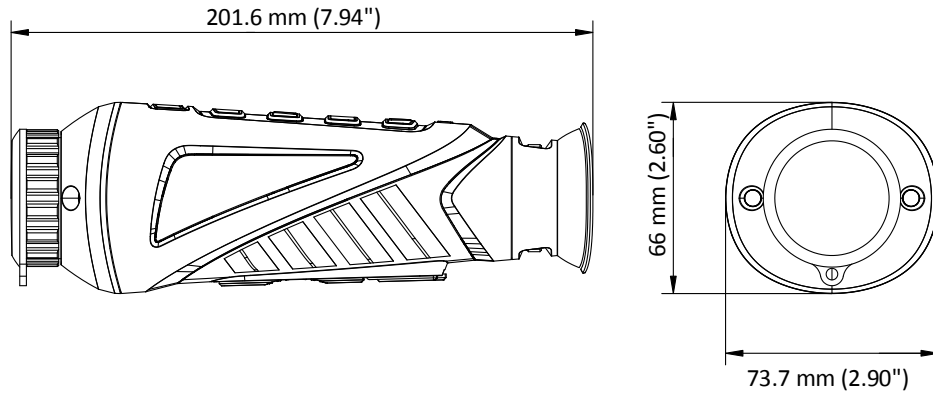
▪ Specification

| Thermal Module | |
|---------------------------|---|
| Image Sensor | VOx Uncooled Focal Plane Arrays |
| Resolution | 640 × 512 |
| Frame Frequency | 50 Hz |
| Pixel Interval | 17 μm |
| Response Waveband | 8 μm to 14 μm |
| NETD | Less than 35 mK (@25°C), F#=1.1 |
| Focal Length | 35 mm |
| IFOV | 0.49 mrad |
| Field of View | 17.7° × 14.2° (H × V) |
| Aperture | F1.0 |
| Magnification | 1.4 - 11.2 |
| Image Display | |
| Monitor | 0.39 inch, OLED, 1024 × 768 |
| Palettes | Black Hot, White Hot, Red Hot, Fusion |
| Uniformity Correction | Auto, Manual, External Correction |
| Digital Zoom | 1× , 2× , 4 × , 8× |
| Smart Function | |
| Hot Track | Yes |
| Detection Range | 1235 m |
| System | |
| Storage | Built-in memory module (16 GB) |
| Record Video | Yes |
| Capture Snapshot | Yes |
| Wi-Fi | Yes |
| Standby Mode | Yes |
| Power Supply | |
| Battery Type | Rechargeable Lithium Battery |
| Battery Operating Time | 5.5 hours continuous running with CVBS and Wi-Fi hot spot function off (@25 °C) 4.5 hours continuous running with CVBS and Wi-Fi hot spot function on (@25 °C) |
| Battery Capacity Display | Yes |
| General | |
| Power | 5 VDC/2 A, 2 W, Type-C Interface |
| Work Temperature/Humidity | From -30°C to 55°C (-22°F to 131°F); Humidity: 90% or Less |
| Protection Level | IP67 |
| Dimension | 201.6 mm × 73.7 mm × 66 mm (7.94" × 2.90" × 2.60") |
| Weight | 500 g (0.55 lb) |

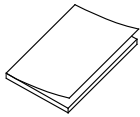
Available Model

HM-TS06-35XF/W-OQ35

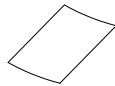
Dimension



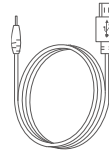
Accessory



Quick Start Guide
(x1)



Non-dust Cloth (x1)



USB Cable (x1)



Protective Bag (x1)



Wrist Strap (x1)